

**UTAH HIGH SCHOOL
ACTIVITIES ASSOCIATION**

2023

5A

BASEBALL

STATE

CHAMPIONSHIP

Presented by:



MOUNTAIN AMERICA

CREDIT UNION

UHSAA Title Sponsor



MOUNTAIN AMERICA CREDIT UNION

A message from Mountain America Credit Union



Dear UHSAA participant,

Mountain America is honored to help enrich local communities by investing in future generations. As a credit union, we are committed to the philosophy of people helping people. One way we fulfill this commitment is by supporting Utah student leaders in their pursuit of athletic achievement and artistic creativity.

Thank you for the positive impact you are making in the community. I am confident that your involvement in the UHSAA programs will help you learn important life skills and develop the teamwork and discipline necessary to succeed in future endeavors. We wish you continued success throughout the school year and into adulthood.

Guiding you forward,

Sterling Nielsen

President & CEO



THE CHECKING ACCOUNT *OF CHAMPIONS!*

Open a new checking account and

GET \$75!

To claim this offer, visit any Mountain America branch
or apply online at macu.com/uhsaa.

Apply now

MyFree CheckingSM
crushes the competition.

- ▶ Easy online and mobile banking
- ▶ Tap-to-pay Visa[®] debit cards
- ▶ Free access to your FICO[®] Score*
- ▶ And more!

Special
 **offer**

Get \$75 when you open
a new MyFree Checking
account with eStatements
at Mountain America.**



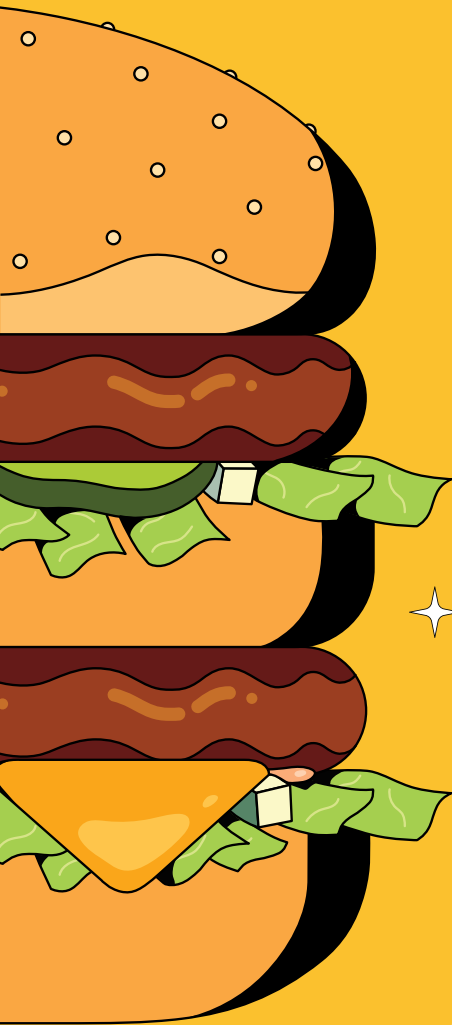
MOUNTAIN AMERICA
CREDIT UNION

*FICO is a registered trademark of Fair Isaac Corporation in the United States and other countries. FICO[®] Score available to primary members only.

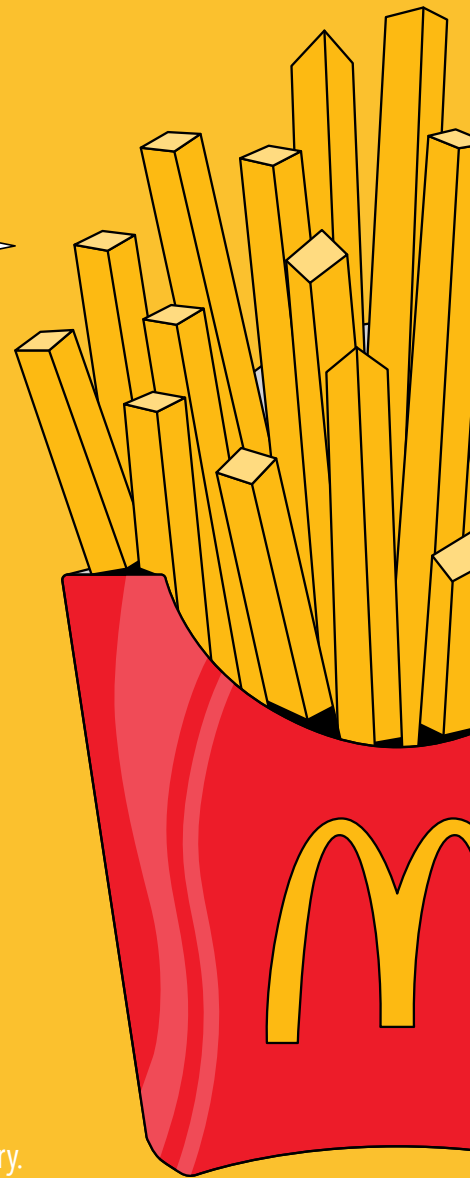
To qualify for and redeem reward, you must sign up for eStatements at account setup. Reward will be deposited into account within 30 business days after eStatement setup. Account must remain open for minimum of six months from reward date, or it will be debited from account at closing. Limit one reward per person, per household. Offer not available on secondary accounts, account conversions or in combination with any other offer. Employees of Mountain America not eligible. Reward is considered interest and will be reported on IRS Form 1099-INT. Membership required—based on eligibility. Offer expires 3/31/21. **Promo code: MACUHS

Insured by NCUA

McDonald's is proud to sponsor UHSAA and this QR Code. But mostly UHSAA.



Scan the QR Code to download the McDonald's app to learn about great deals and earn rewards good for all your McD's faves.



Program available at participating McDonald's. Excludes delivery. McD app download and registration required. © 2022 McDonald's



Provide or get live scores for your favorite teams

[MAXPREPS.COM/SCORES](https://maxpreps.com/scores)



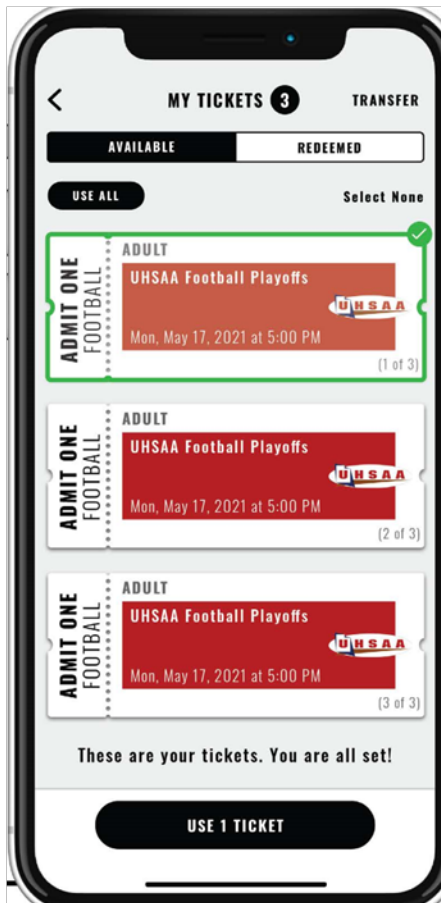
MaxPreps is the
Official Sponsor of Scores & Statistics
of the UHSAA





BUY HIGH SCHOOL TICKETS NOW

OFFICIAL
DIGITAL TICKETING PARTNER OF



No scans. Happy fans.

The fastest ticketing experience from the leading provider in the market. No scanning, hardware, or Wi-Fi required.

SAVE TIME

Save hours on ticket reconciliation, staffing, and event administration and focus more on your program and students.

DRIVE MORE REVENUE

Keep 100% of ticket sales, avoid credit card fees, and run transparent financial reports on demand.

MAKE FANS HAPPY

Provide a first-class experience with digital tickets, quick and contactless entry, and multiple ways to buy in advance or at the gate.

LEARN MORE: [GET.GOFAN.CO](https://get.gofan.co)

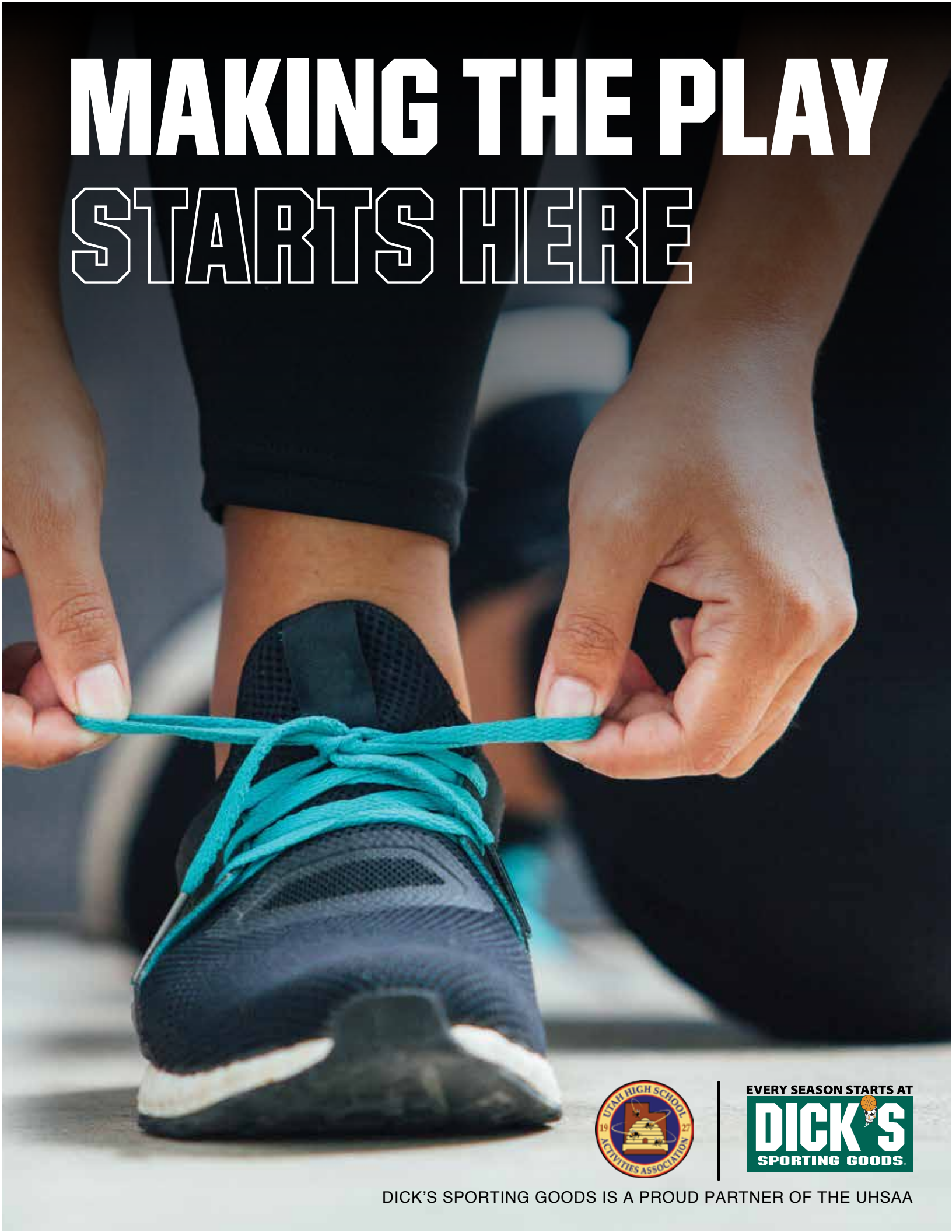
UTAH *Fresh*

Our freshmen experience is refreshingly different.



IMAGINE  **THE UNIVERSITY OF UTAH**
UTAH.EDU

MAKING THE PLAY STARTS HERE



DICK'S SPORTING GOODS IS A PROUD PARTNER OF THE UHSAA



Board of Trustees

6A School Board.....	Marilyn Richards
5A School Board.....	Kami Anderson
4A School Board.....	Jeffrey Nielsen
3A School Board.....	David Warren
2A School Board.....	David Lund
1A School Board.....	April Torgerson
5A/6A Superintendent.....	Paul Sweat
3A/4A Superintendent.....	Larry Bergeson
1A/2A Superintendent.....	Jerre Holmes
5A/6A Principal.....	Robert McDaniel
3A/4A Principal.....	Darin Thomas
1A/2A Principal.....	Jim Wood
Charter School Representative	Bryan Durst
Private School Representative.....	Craig Morris
State School Board Representative.....	Brent Strate

Executive Committee

Region 1.....	Jed Johansen.....	Syracuse
Region 2.....	Robert McDaniel.....	Cyprus
Region 3.....	Todd Quarnberg.....	Herriman
Region 4.....	Darrell Jensen.....	Corner Canyon
Region 5.....	Jason Smith.....	Northridge
Region 6.....	Tom Sherwood.....	Brighton
Region 7.....	Bill Sivert.....	Cedar Valley
Region 8.....	Doug Webb.....	Lehi
Region 9.....	Ryan Bishop.....	Wasatch
Region 10.....	Darin Thomas.....	Hurricane
Region 11.....	Doug Snow.....	Ridgeline
Region 12.....	Steve Gordon.....	Emery
Region 13.....	Kade Morrell.....	Morgan
Region 14.....	Karen Soper.....	Manti
Region 15.....	Nate Marshall.....	Providence Hall
Region 16.....	Jade Shepherd.....	North Sevier
Region 17.....	Craig Morris.....	Waterford
Region 18.....	Ty Kennedy.....	Wasatch Academy
Region 19.....	Brady Fails.....	Beaver
Region 20.....	Jim Wood.....	Valley
Region 21.....	Karl Jensen.....	Telos Academy
Region 22.....	Darin Jenkins.....	Tabiona
Region 23.....	Roberta Hardy.....	Pinnacle Academy
Chair.....	Craig Hammer.....	Washington School District
	Teri Davis.....	USBE Representative
	Marc Hunter.....	Ex-Officio
	Everett Kelepolo.....	Ex-Officio

Executive Officers

Chairperson, Board of Trustees.....	Jerre Holmes
Chairperson, Executive Committee.....	Craig Hammer
Executive Director UHSAA.....	Rob Cuff
Assistant Director UHSAA.....	Jeff Cluff
Assistant Director UHSAA.....	Brenan Jackson
Assistant Director UHSAA.....	Jon Oglesby
Assistant Director UHSAA.....	Jan Whittaker

Page Contents

Tournament Bracket	11
Alta	16
Bonneville.....	17
Bountiful.....	18
Box Elder	19
Brighton.....	20
Cedar Valley.....	21
Cottonwood	22
East.....	23
Highland.....	24
Hillcrest.....	25
Jordan.....	26
Lehi.....	27
Maple Mountain	28
Mountain View	29
Murray	30
Northridge.....	31
Olympus	32
Orem	33
Park City.....	34
Payson.....	35
Provo.....	36
Salem Hills.....	37
Skyline.....	38
Spanish Fork.....	39
Springville.....	40
Stansbury.....	41
Timpanogos.....	42
Timpview.....	43
Tooele.....	44
Uintah	45
Viewmont	46
Wasatch.....	47
Woods Cross	48
Academic All-State Winners.....	50

UHSAA Sponsors



MOUNTAIN AMERICA
CREDIT UNION

unbottled.

DICK'S
SPORTING GOODS

Agraria
INSURANCE COMPANY

Simply Different
www.agraria.com



THE
UNIVERSITY
OF UTAH

MAXPREPS

THE SHIRT STOP
screenprinting · embroidery · promo · awards



McDonald's

Wilson.

KSL SPORTS

DeseretNews.

Stats, Standings and Scores available on UHSAA.org powered by MaxPreps

Tournament Bracket

2023 UHSAA • Mountain America Credit Union 5A Baseball State Championship

Regionals - May 13 & 15 at Home Sites • Super Regionals - May 18 & 19 at Home Sites

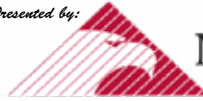
Bracket Play - May 22-25 at Brigham Young University • Finals - May 26 & 27 at Utah Valley University

Regionals May 13 & 15 Home Sites Best of 3	Super Regionals May 18 & 19 Home Sites Best of 3	Bracket Play				Finals May 26 & 27 Best of 3 at UVU
		May 22 G1-4 at BYU	May 23 G5-8 at BYU	May 24 G9-12 at BYU	May 25 G13-14 at BYU	

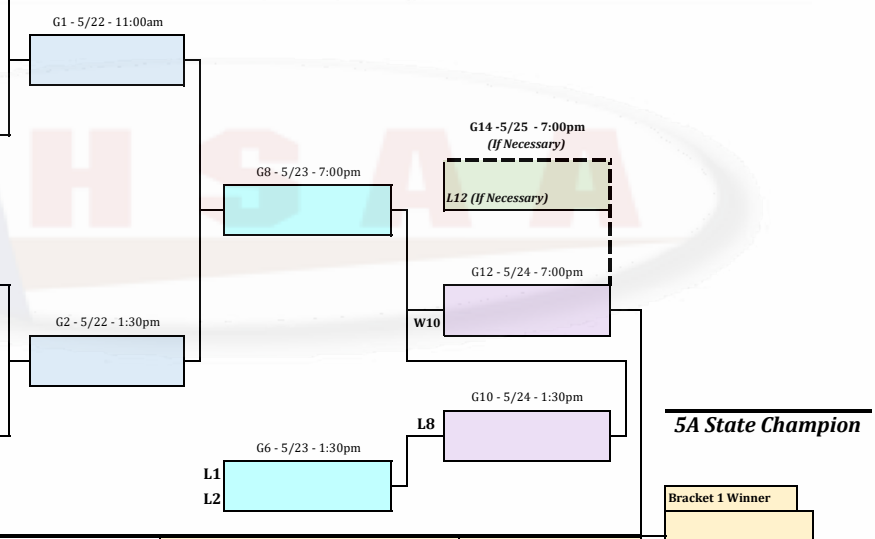
BRACKET 1

16 Box Elder G1-5/13 1:00pm G2-5/15 1:00pm G3-5/15 (If Ness.)	17 Woods Cross WX 11-6, BE 7-5, WX 7-5
9 Stansbury G1-5/13 1:00pm G2-5/15 1:00pm G3-5/15 (If Ness.)	8 Brighton G1-5/18 4:00pm G2-5/19 1:00pm G3-5/19 (If Ness.)
24 Wasatch SS 2-0, SS 6-5	9 Stansbury G1-5/18 4:00pm G2-5/19 1:00pm G3-5/19 (If Ness.)
12 Payson G1-5/13 1:00pm G2-5/15 1:00pm G3-5/15 (If Ness.)	5 Viewmont G1-5/18 4:00pm G2-5/19 1:00pm G3-5/19 (If Ness.)
21 Provo PL 14-3, PB 13-2, PL 13-0	12 Payson G1-5/18 4:00pm G2-5/19 1:00pm G3-5/19 (If Ness.)
13 Cottonwood G1-5/13 1:00pm G2-5/15 1:00pm G3-5/15 (If Ness.)	4 Lehi G1-5/18 4:00pm G2-5/19 1:00pm G3-5/19 (If Ness.)
20 Alta AH 6-1, CC 13-2, CC 6-5	13 Cottonwood G1-5/18 4:00pm G2-5/19 1:00pm G3-5/19 (If Ness.)

Presented by:



MOUNTAIN AMERICA
CREDIT UNION



5A State Champion

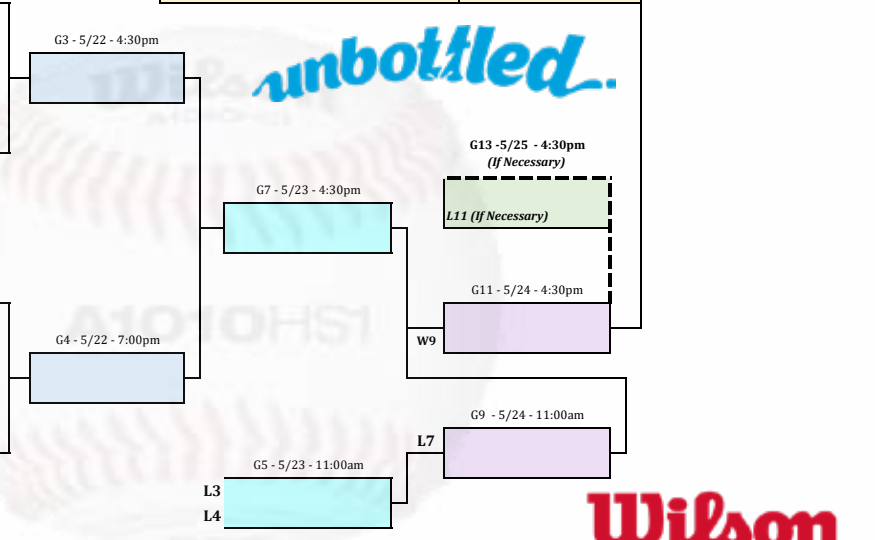
Bracket 1 Winner

Bracket 2 Winner

BRACKET 2

15 Bountiful G1-5/13 1:00pm G2-5/15 1:00pm G3-5/15 (If Ness.)	18 Uintah BR 11-1, UU 12-4, UU 6-4
10 Maple Mountain G1-5/13 1:00pm G2-5/15 1:00pm G3-5/15 (If Ness.)	7 Orem G1-5/18 4:00pm G2-5/19 1:00pm G3-5/19 (If Ness.)
23 Springville MM 6-5, SR 3-1, MM 7-0	10 Maple Mountain G1-5/18 4:00pm G2-5/19 1:00pm G3-5/19 (If Ness.)
11 Murray G1-5/13 1:00pm G2-5/15 1:00pm G3-5/15 (If Ness.)	6 Jordan G1-5/18 4:00pm G2-5/19 1:00pm G3-5/19 (If Ness.)
22 Cedar Valley MS 12-2, MS 10-0	11 Murray G1-5/18 4:00pm G2-5/19 1:00pm G3-5/19 (If Ness.)
14 Park City G1-5/13 1:00pm G2-5/15 1:00pm G3-5/15 (If Ness.)	3 Salem Hills G1-5/18 4:00pm G2-5/19 1:00pm G3-5/19 (If Ness.)
19 Spanish Fork SF 6-0, SF 3-1	19 Spanish Fork G1-5/18 4:00pm G2-5/19 1:00pm G3-5/19 (If Ness.)

**5A "If Necessary" game will be played 30 minutes after the conclusion of the 6A Championship or at 7:00pm if the 6A requires the "If Necessary" game.



The Higher seed will be the Home Team • In best of three series, the "If Necessary" games, home team will be determined by a coin toss.

**PERFORM.
REFUEL.
RECOVER.
REPEAT.**



You're not afraid of a challenge. You push yourself to the limit — and then you push a little more. You're on a journey to becoming your best self. And when you need a boost, dairy is there to fuel you on your path to greatness.



unbottled[®]

PROVIDED BY LOCAL DAIRY FARM FAMILIES



Fans:

IT'S TIME TO STEP UP YOUR GAME.

Bad behavior at our athletic events has to STOP!

BenchBadBehavior.com





THE EVOLUTION OF AN ICON

Introducing the 2022 A2000 Lineup



2022 LINEUP
A2000
2022 LINEUP

WILSON.COM



Agraria

INSURANCE COMPANY

Simply Different

www.agraria.com

Home | Farm/Ranch | Dwelling

Alta Hawks

No Photo
Submitted

Head Coach: Daron Connelly **Region:** 8 **Colors:** Black/Silver/Scarlet
Principal: Ken Rowley **Athletic Directors:** Morgan Brown & Daron Connelly

Jersey	First	Last	Grade				
2	Tyler	Szugye	12	17	Kalem	Thatcher	11
3	Logan	Thayne	11	18	Nathan	Nelson	10
4	Crew	Scheel	9	19	Ian	Alvey	9
5	Jeremy	Christensen	11	20	Logan	Bridge	11
6	Nash	Williams	9	21	Seth	Watson	11
7	Ryker	Mast	11	23	Bentley	Crook	12
9	Carson	Rex	11	25	Sebastian	Fuenmayor	12
10	Marco	Aviles	10	27	Logan	Moeller	11
11	Tyson	Kelly	11	29	John	Warren	9
12	Jack	Ward	12	32	Alexander	Hoover	12
14	Derek	Tate	10	43	McCoy	Johnson	9
16	Colton	Hall	10	44	Levi	Stevenson	10
				51	Jose	Leon	10

Bonneville Lakers



Head Coach: Ryan Shaffer **Region:** 5 **Colors:** Navy/Gold
Principal: Richard Murray **Athletic Director:** Rick Corbridge

Jersey	First	Last	Grade				
0	Thomas	Richards	11	13	Christian	Moreno	12
1	David	Randall	12	16	Enrique	Garcia Lorte	12
3	Charlie	Shaffer	12	17	Parker	Sorensen	11
6	Lanodn	Minnoch	11	18	Andrew	Hansen	11
7	Kaycee	Parkhurst	11	19	Andrew	DeGroot	12
8	Ryker	Allen	10	24	Luke	Herbert	10
9	Jet	Hirschi	10	27	Mason	Wade	12
10	Jaxon	Hymas	11	28	Tayson	Eichmeier	11
11	Zackary	Ohlin	10	33	Wade	Larsen	10
12	Ian	Parker	10	44	Hudson	Taylor	10
				47	Adam	Field	10

Bountiful Redhawks



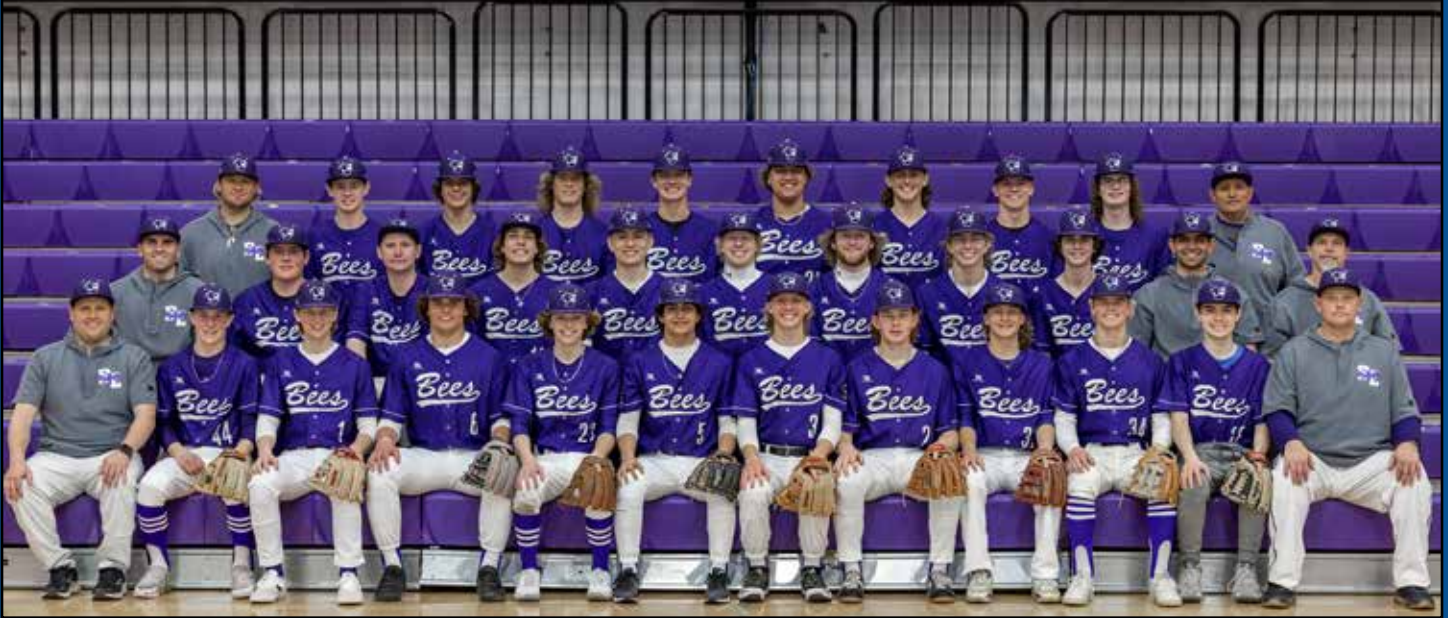
Head Coach: Aaron Everett **Region:** 5 **Colors:** Red/Gray
Principal: Aaron Hogge **Athletic Director:** Clark Stringfellow

Jersey	First	Last	Position	Grade					
					16	Christopher	Suarez	P/OF	10
1	Hank	Tippetts	RF	12	21	Jackson	Kyhl	P	10
2	Zachary	Webster	P/CF	11	22	Ryker	Jenkins	1B	12
4	Dallin	Maxwell	SS/P	12	23	James	Jordan	3B	12
5	Jefferson	Duryea	LF/P	12	24	Kash	Kuehne	OF	11
7	Tanner	Swanson	C/IF	10	25	Andrew	Pulsipher	P	11
8	Trey	Dahlke	C	11	27	Dominic	Baker	C	10
9	David	Demorest	CF	11	29	Benjamin	Neuenswander	OF	10
10	Kaisan	Averett	2B	12	30	Krew	Nelson	1B	10
11	Easton	Aubuchon	P/OF	12	32	Kolten	Sagers	3B/P	9
12	Tavis	Danner	P	11	34	Jacob	Stapley	P/OF	10
15	Jack	Partridge	OF	11	35	Nicholas	Bryant	3B/2B	10

REDHAWKS

Box Elder Bees

BOX ELDER *Bees*



Head Coach: Travis Mumford **Region:** 5 **Colors:** Purple/White/Black
Principal: Jamie Kent **Athletic Director:** Jesse Roberts

Jersey	First	Last	Grade				
1	Jorun	Mason	11	19	Kaleb	Newby	11
2	Landen	Golmon	11	21	Ryan	Griffin	11
3	Kortlin	Argyle	11	22	Kellen	Kohler	10
4	Ashton	Burton	11	23	Tallin	Chappell	12
5	Damon	Rodriguez	11	24	Greyson	Burt	10
6	Daxton	Sumko	11	25	Jensen	Kennedy	10
8	Carter	Buchanan	10	27	Cameron	Valcarce	10
11	Cooper	Stevenson	12	28	Tommy	Greer	12
13	William	Jeppsen	12	31	Jordan	Ammons	12
14	Mathew	Petersen	12	32	Daxton	Olsen	10
15	Camden	Lish	11	34	Tyler	Redington	12
16	Kelton	Reyes	11	35	Derek	Nessen	11
				44	Easton	Green	10

Brighton Bengals

**No Photo
Submitted**

Head Coach: Mark Kleven **Region:** 6 **Colors:** Orange/Blue
Principal: Tom Sherwood **Athletic Director:** Garrett Wilson

**No Roster Submitted
In**

RegisterMyAthlete

**BRIGHTON
BENGALS**



MOUNTAIN AMERICA
CREDIT UNION



DeseretNews.

Cedar Valley Aviators



Head Coach: Tim Miller **Region:** 7 **Colors:** Red/Black
Principal: Courtney Johnson **Athletic Director:** Sharon Mardesich

Jersey	First	Last	Position	Grade
0	Gideon	Both	P/OF	11
1	Reid	Sharp	IF/P	10
2	Landon	Johnson	IF/C	9
3	Jamison	Collins	IF/P	10
4	Gavin	Davis	OF/C	11
5	Joshua	Sivert	OF/C	11
6	Ashton	Pincock	IF/P	10
7	Luke	Bitner	IF/C	11
8	Brody	Blodgett	IF/P	10
9	Joel	Maio	P/IF	12

10	Patric	Bride	OF/P	11
11	Holden	Rich	IF/P	10
12	Brandon	Lowe	P/OF	10
13	Dillon	Perkins	OF	12
14	Brodyn	Mortensen	IF/P	11
16	Detmer	Murdock	IF/P	10
22	Brian	White	OF/C	11
24	Troy	Worthen	1B/OF	11
25	Ethan	Johnson	C/OF	11
33	Parker	Cluff	1B/P	12

AVIATORS
 CEDAR VALLEY HIGH SCHOOL

Cottonwood Colts



Head Coach: Chris Shelton **Region:** 7 **Colors:** Black/Gold
Principal: Michael Douglas **Athletic Director:** Greg Southwick

Jersey	First	Last	Grade
1	John	Pipe	11
2	Moises	Gutierrez Mavarez	12
3	Austin	Carver	11
4	Robbie	Jensen	11
6	Cameron	Nielson	12
7	Payton	Burk	12
8	Brighton	Young	10
10	Avery	Doezie	12
12	Hayden	Hudman	11
14	Landon	Wells	11
15	Oliver	Wayman	11
16	Jordan	Fallis	12

17	Angel	Mavarez	10
18	Ethan	Wayment	12
20	Samuel	Clements	11
21	Vincent	Smith	12
22	William	Petitta	10
23	Logan	Hunick	12
24	Easton	Smith	12
25	Jaxon	Pfeil	12
26	Daxton	Sorensen	10
28	Keaton	Stinson	11
33	Julian	Sanderson	12
34	Porter	Burbank	12

**No Photo
Submitted**

Head Coach: Patrick Treend **Region:** 6 **Colors:** Red/White
Principal: Pam Pedersen **Athletic Director:** Skip Lowe

**No Roster Submitted
In
RegisterMyAthlete**



Highland Rams

No Photo
Submitted

Head Coach: Daniel Shwam **Region:** 6 **Colors:** Black/White
Principal: Jeremy Chatterton **Athletic Directors:** Daniel Shwam & Monica French

Jersey	First	Last	Grade				
0	Grant	Starks	11	15	Eric	Simonson	11
1	Alex	Starks	11	16	Matthew	Fotheringham	9
2	Myles	Folau	12	21	Kolby	Crawford	12
3	Cooper	Ahrend	12	22	Cameron	Geiger	11
4	Winston	Carpenter	12	23	Ryken	Bennett	11
5	Reuben	Mason	12	25	James	McAdams	11
11	Isaac	Banks	12	28	Kaison	Louie	10
12	Harrison	Kolloch	12	29	Tanner	Jones	12
13	Carter	Aguirre	12	35	Samuel	Bobbermin	11
				99	Aidan	Berrios	11

**No Photo
Submitted**

Head Coach: Daryl Hernandez **Region:** 7 **Colors:** Green/White
Principal: Gregory Leavitt **Athletic Director:** Scott Carrell

**No Roster Submitted
In
RegisterMyAthlete**



Jordan Beetdiggers

No Photo
Submitted

Head Coach: Chad Fife **Region:** 8 **Colors:** Maroon/Gray
Principal: Bruce Eschler **Athletic Director:** Joel Sundquist

Jersey	First	Last	Grade
1	Bridger	Beacham	12
3	Jake	Vigil	9
4	Carter	Perry	12
7	Daniel	Bachman	11
8	Hunter	Gatti	12
10	Noah	Gatti	10
11	Jake	Miller	11
12	Cade	Nalder	12
16	Ryder	Malmstrom	11
18	Colton	Austin	12
19	Lucca	Marvin	9

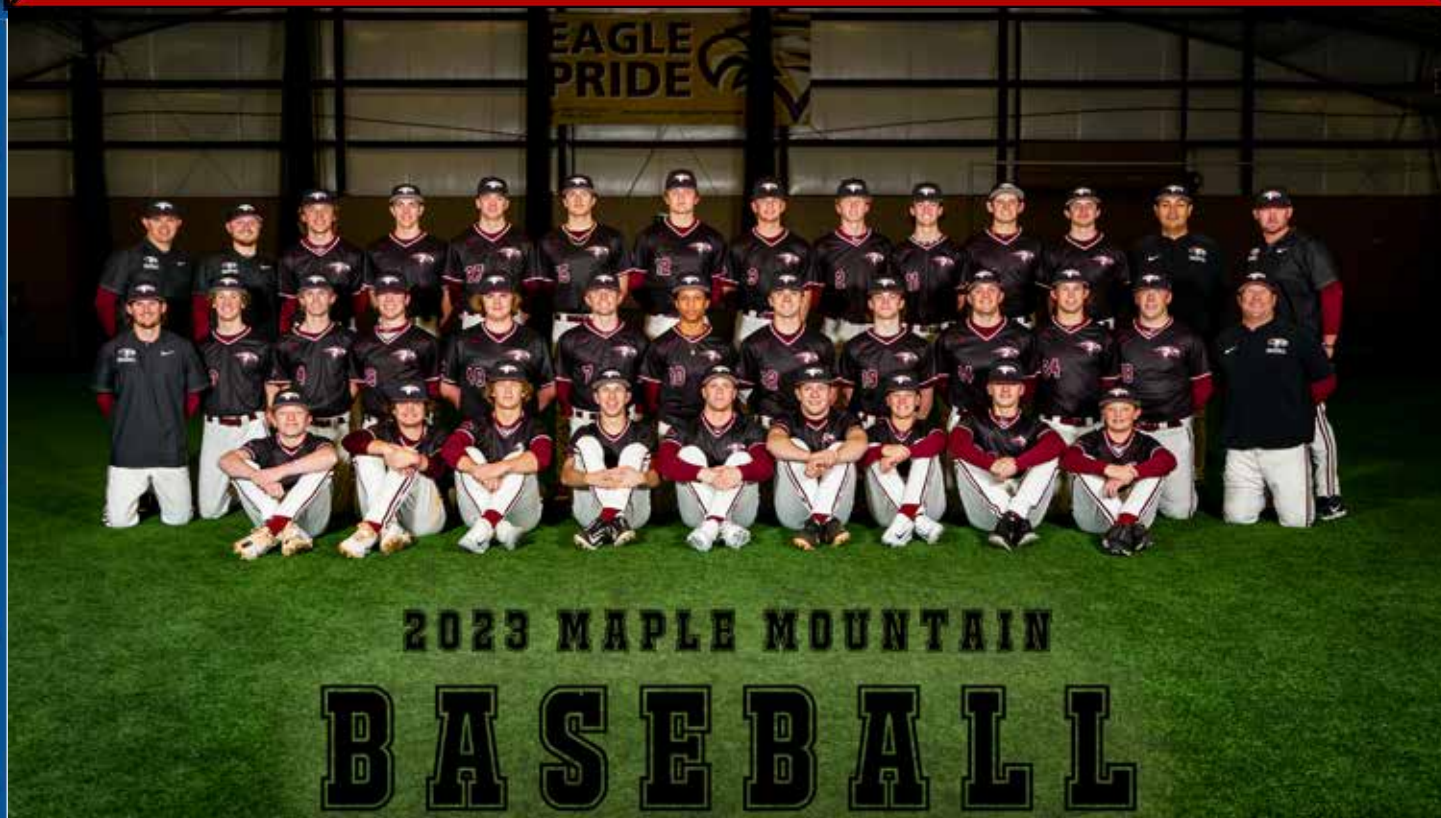
21	Evan	Atkinson	12
22	Kai	Smith	11
23	Jayden	Montoya	9
24	Kobe	Carter	12
25	Boston	Williams	11
27	Stockton	Mathis	12
28	River	Schmidt	10
33	Jake	Richards	11
35	Gunnar	Russell	11
38	Marcos	Garcia	12
44	Colton	Kershaw	12

**No Photo
Submitted**

Head Coach: Jason Ingersoll **Region:** 8 **Colors:** Purple/White
Principal: Doug Webb **Athletic Director:** Quincy Lewis

**No Roster Submitted
In
RegisterMyAthlete**

Maple Mountain Golden Eagles

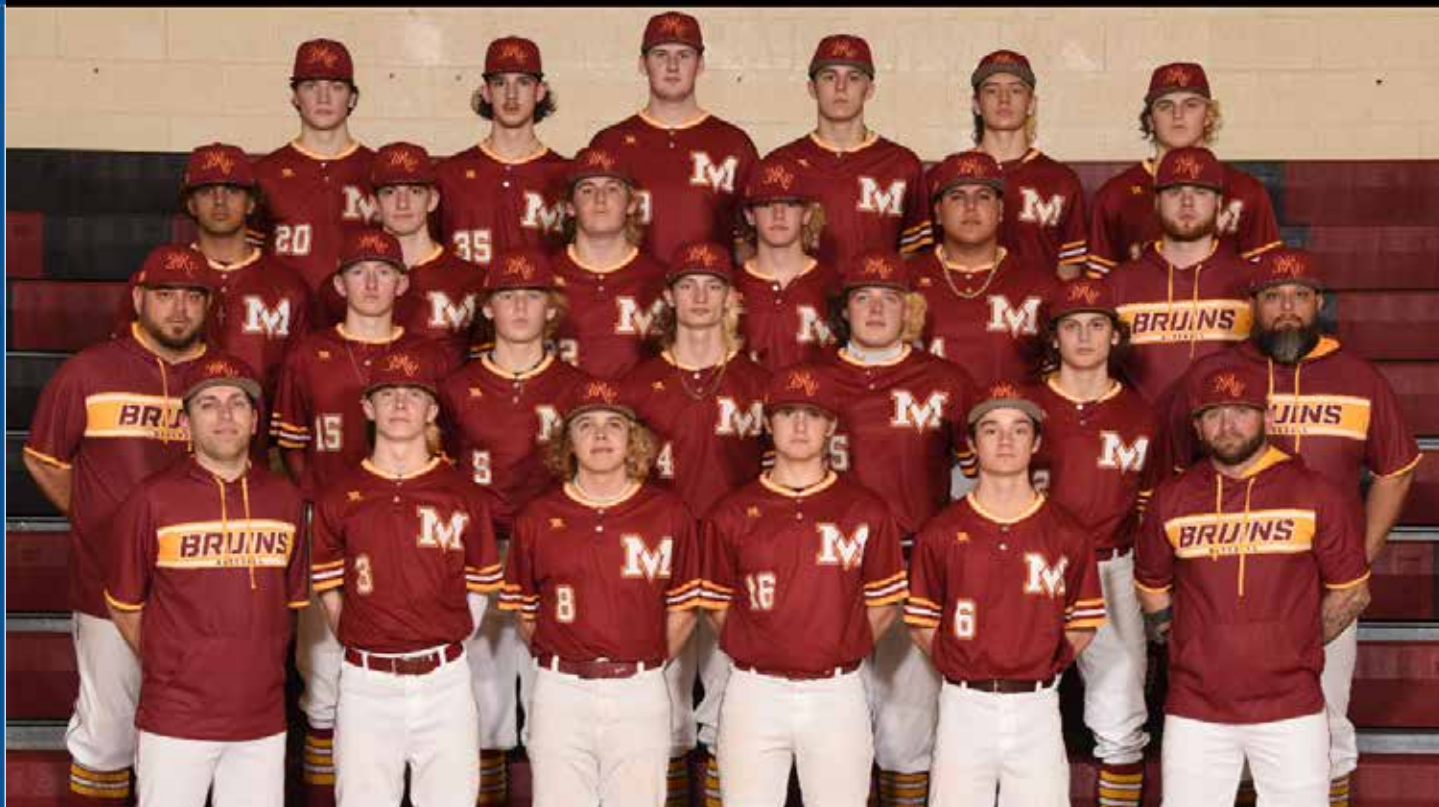


Head Coach: Jeremy Thomas **Region:** 9 **Colors:** Maroon/Gold
Principal: Shea Bradshaw **Athletic Director:** David Boyack

Jersey	First	Last	Grade
1	Aiden	Thomas	11
2	Bennett	Averett	12
3	Cole	Erickson	11
4	Blake	Carter	12
5	Seth	Hall	13
6	Corbin	Bailey	13
7	Ryder	Jeffers	13
8	Cayden	Giles	10
9	Mason	Pepper	12
10	Frandi	Mesa	13
11	Colby	Warren	12
12	Cy	Chrisman	10
13	Sawyer	Leifson	11
14	Logan	Smith	13
15	Cooper	Seamons	13

16	Jon	Hyatt	10
17	Chase	Johnston	11
18	Logen	Bringhurst	12
19	Kayl	Cullimore	10
20	Braden	Nuttall	12
21	James	Horsley	11
22	Cooper	Rollins	13
24	Brock	George	11
25	Christian	Ortiz	12
26	Dylan	Robertson	11
27	Jake	Roscher	12
28	Nash	Ferguson	10
34	Lincoln	Beenfield	10
35	Mick	Winward	10
40	Reece	Johnson	11

Mountain View Bruins



Head Coach: Beau McCoy **Region:** 8 **Colors:** Cardinal/White/Gold

Principal: Kevin Henshaw **Athletic Directors:** Jordan Blanchard, Kelly Mannewitz & Chad Blevins

**No Roster Submitted
In**

RegisterMyAthlete

BRUINS



MOUNTAIN AMERICA
CREDIT UNION



DeseretNews.

Murray Spartans



Head Coach: Marce Wilson Region: 6 Colors: Orange/Black
Principal: Quinn Linde Athletic Director: Brady Smith

No Roster Submitted
In
RegisterMyAthlete



Northridge Knights

**No Photo
Submitted**

Head Coach: Dave Martinez

Region: 5 **Colors:** Cardinal/Silver

Principal: Jason Smith

Athletic Director: Tom Zarate

**No Roster Submitted
In
RegisterMyAthlete**



MOUNTAIN AMERICA
CREDIT UNION



 **DeseretNews.**

Olympus Titans



Head Coach: Corland Felts **Region:** 6 **Colors:** Green/Gray
Principal: Jen Christensen **Athletic Director:** Kael Ashton

Jersey	First	Last	Position	Grade
0	Fox	Jaxon	SS/C	11
1	Cayman	Sanchez	P/SS	9
2	Greene	Nick	UT	12
3	Musso	Jack	OF/IF	12
4	Taylor	Luke	C	11
5	Cade	Felts	1B/OF	10
6	Godfrey	Jackson	CF	12
7	Chase	Moseley	OF/SS	11
8	Jackson	Kinnersley	P/1B	12
9	Andres	Moreno	SS/2B	10
10	Charlie	Wankier	P/OF	10
11	Jacob	Brown	OF	11
12	Jonathan	Hansen	OF	12
14	Wilson	Sam	P/1B	12
15	Jack	Wallace	P	11

16	James	Hall	2B/1B	11
17	Matthew	Cutler	P	11
18	Lloyd	Caden	CF/OF	10
19	Jack	Evans	3B/OF	10
20	Luke	Affleck	SS	12
21	Spencer	Goldsberry	OF	12
22	Samuel	Peay	P	12
24	Andrew	Morgan	C/OF	10
25	Fox	Alex	P	12
27	Jacob	Faust	3B/OF	12
30	Graydon	Gasik	OF	12
32	David	Salisbury	1B	12
33	Chase	Smith	P/1B	12
34	Daniel	Delis	P	12
35	Johnson	Mitch	UT	11

Orem Tigers



Head Coach: Carl Hermansen **Region:** 8 **Colors:** Royal Blue/Gold
Principal: Lynn Gerratt **Athletic Directors:** Robert Steele & Candace Anderson

Jersey	First	Last	Grade				
1	Aiden	Scheetz	12	15	Carter	Hall	10
3	Oliver	Takahashi	12	16	Parker	Van Buren	10
4	Rylee	Cox	12	17	Jackson	Allen	10
5	Blake	Brotherson	10	18	Jaxtin	Johnson	10
6	Luke	Kimmel	12	20	Sawyer	Slade	12
8	Daniel	Engemann	10	21	Easton	Davies	11
9	Cohen	Strickland	12	23	Merrick	Bostock	10
10	Jason	Sundberg	12	24	Kaden	Decker	11
11	Owen	Miller	11	25	Malachi	Aulava	10
13	Maddox	Lamoreaux	12	27	Tika	Wesley	9
14	Landon	Nix	11	30	Alexander	Jimenez	11

Park City Miners

No Photo
Submitted

Head Coach: David Feasler **Region:** 6 **Colors:** Red/White
Principal: Roger Arbabi **Athletic Director:** Jamie Sheetz

Jersey	First	Last	Grade
5	Jakob	deVries V	10
8	Paxton	Mobley	12
9	Justin	Michaelis	10
11	Jake	Diamond	11
14	Lars	Ence	11
22	Maximilian	Grizzell	12
23	Ethan	Rude	12
24	John	Bradley	12
25	Keller	Hill	11
27	Colton	Schmidt	10
31	John	Saladyga	11
32	Braxton	Lyon	12
33	Sebastian	Ritter	11
34	Asher	Levine	12
35	Hunter	Wilkins	11
44	Jaxson	Schmidt	12

Payson Lions

No Photo
Submitted

Head Coach: Hadley Thorpe **Region:** 7 **Colors:** Green/Silver
Principal: Jesse Sorenson **Athletic Director:** Brian Argyle & Jeremy Chapman

Jersey	First	Last	Grade				
1	Maddox	Jarvis	12	12	Ty	Marvin	9
2	Jaxton	Haveron	10	13	Heston	Laird	12
3	Bryce	White	12	14	Kael	Van Tassell	11
4	Brigzen	Houser	9	15	Jaxton	Howard	12
5	Kade	Edwards	11	16	Bryce	Marvin	12
6	Maddux	DeGraffenried	10	18	Bosten	Roseman	9
7	Nic	Neves	12	19	Caleb	Atkin	10
8	Tyler	Quarnberg	11	20	Gunner	Lowe	12
9	Cam	Ford	12	21	Isaac	Atkin	12
10	Porter	Beckstead	11	22	Ruger	Braithwaite	9
11	Hayden	Jacobson	12	24	Beau	Steinfeldt	11
				25	Parker	Dansie	12

Provo Bulldogs

No Photo
Submitted

Head Coach: Lance Moore **Region:** 9 **Colors:** Green/White
Principal: Jarod Sites **Athletic Directors:** Mike Hunter & Phil Olsen

Jersey	First	Last	Position	Grade	Height
1	Cy	Berge	IF	10	6'0
2	Keegan	Gingras	IF	12	6'1
3	Ty	Lamb	P/IF	12	5'11
6	Drew	Deucher	OF	11	6'0
7	Max	Patrick	P/IF	10	5'11
8	Isaac	Tucker	OF	12	5'10
9	Jacob	Luke	OF	11	5'10
11	Gehrig	Orchard	P/IF	9	6'1
12	Kyler	Toone	P/OF	10	6'1
13	Kasen	Torres	C/IF	9	6'2
14	Logan	Brinkerhoff	IF	11	6'0
15	Carson	Cox	C/IF	10	6'3
17	Milo	Rhineer	P/IF	10	6'0
18	Jackson	Sharpe	P/IF	10	6'1
20	Jared	Monn	P/OF	11	6'0
21	David	Fernandez	P/IF	10	5'10
22	Clark	Nielsen	IF	11	5'10
24	Kelson	Scott	OF/C	11	6'0
27	Kampton	Fuller	OF	11	5'10
31	Geo	Rodriguez	OF	12	5'8
34	Alex	Martinez	C/IF	12	6'2

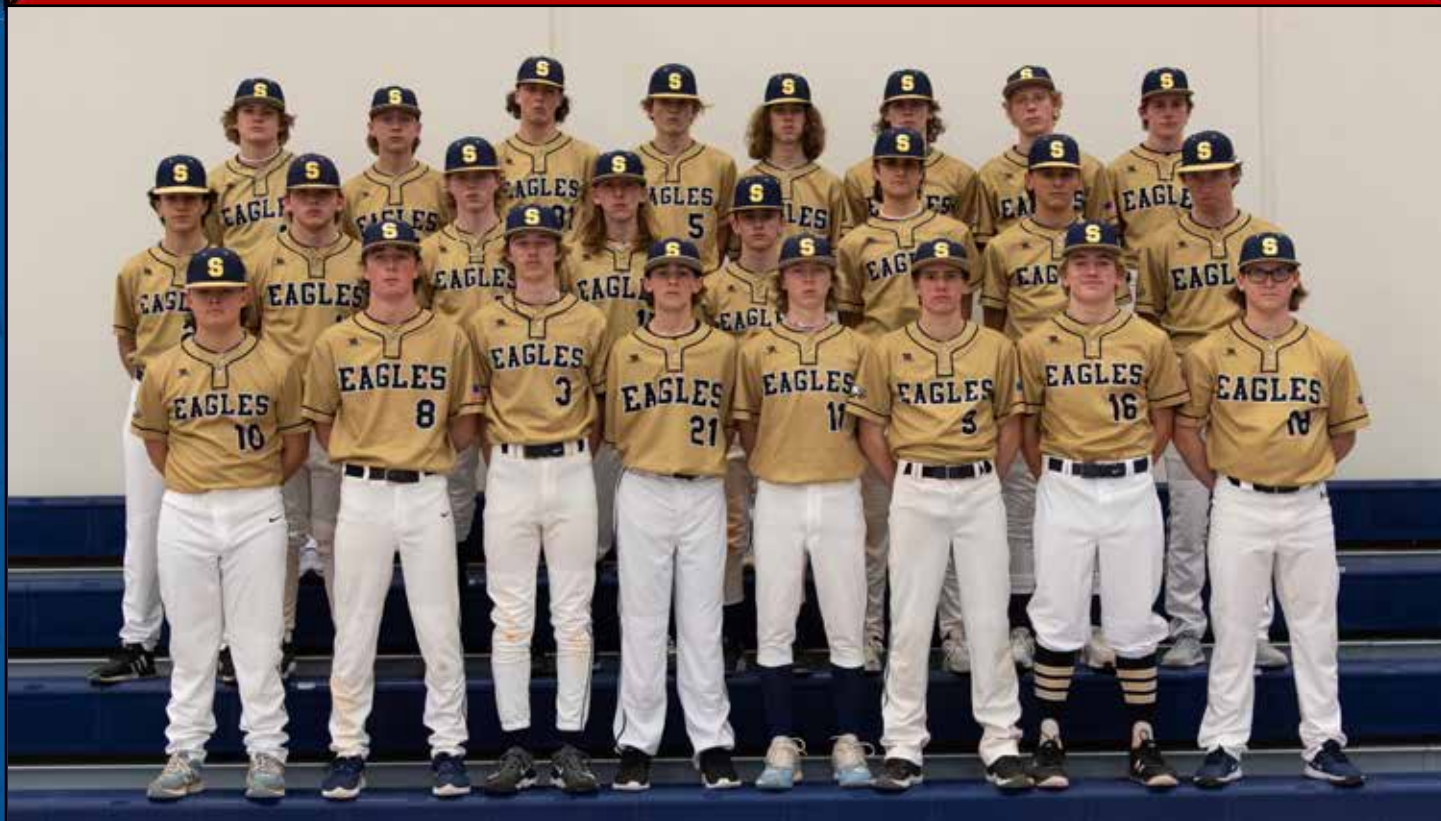
Salem Hills Skyhawks

No Photo
Submitted

Head Coach: Scott Haney **Region:** 9 **Colors:** Navy/Light Blue/Gold
Principal: Ryan McGuire **Athletic Directors:** Lee Gillie & Mark Holden

Jersey	First	Last	Position	Grade
1	Alexander	Cloward	P/IF	11
2	Kamren	Coburn	P/IF	12
3	Kaleb	Holman	P/UT	11
4	Braxton	Harrison	P/C	10
5	Roper	Kay	P/C	11
6	Talon	Cloward	P/UT	10
7	Zakery	Nelson	P/UT	12
9	Aiden	Haskell	P/OF	11
10	Kason	Averett	P/IF	11
12	Chase	DeGraffenried	P/UT	11
13	Cayden	Hansen	P/OF	12
14	Trey	Smith	P/OF	12
15	Boston	Gardner	P/C	12
16	Corbin	Gull	P/IF	11
17	Brock	Butterfield	IF/	11
20	Charlie	Cushing	IF/	12
21	Nolan	Miller	P/OF	12
22	Kade	Holman	P/OF	11
24	Treyton	Mitchell	P/IF	10
25	Garrett	Holt	OF/	12

Skyline Eagles



Head Coach: Eric Morgan **Region:** 6 **Colors:** Navy/Old Gold/Columbia Blue
Principal: Mitch Nerdin **Athletic Director:** Samuel White

**No Roster Submitted
In
RegisterMyAthlete**

Spanish Fork Mighty Dons

No Photo
Submitted

Head Coach: Casey Nelson **Region:** 9 **Colors:** Red/Gray
Principal: Matt Christensen **Athletic Director:** Jesse Roberts

#	First	Last	Position	Grade	Height
1	Walker	Evans	P/OF	12	5'11
2	Luke	Hansen	P	11	6'1
3	Cal	Marziale	OF/P	11	5'10
4	Ian	Abplanalp	OF	12	5'8
5	Britt	Nielsen	IF/P	11	5'11
6	William	Dart	P/IF	11	6'1
7	Jayden	McCuistion	P/OF	12	5'8
8	Ethan	Doerr	IF/P	12	5'9
9	Alex	Nielsen	P	12	5'11
10	Bryson	Shipman	IF/P	11	5'10
11	Calin	Nielsen	C	11	6'1
12	Jaxon	Sorenson	OF/P	10	6'2
13	Nathan	Peterson	C/IF	11	5'10
14	Seth	Argyle	IF	12	5'11
15	Garrett	Field	IF	11	5'7
16	Dallin	Manning	C/1B	10	6'1
17	Matai	Johnson	P/1B	9	5'9
18	Brecken	Andersen	IF/OF	11	5'10
19	Kaden	Bennett	IF/P	10	5'7
20	Porter	Olson	OF/P	10	5'9
21	Conner	Ford	C/OF	10	5'8
22	Teigan	Scott	IF/P	11	5'11
23	Kaleb	Robertson	C/OF	12	6'0
26	Riley	Lambson	OF/P	11	6'2
28	Xavier	Amonett	C/IF	10	5'6
30	Mckay	Smith	OF/P	10	5'10
33	Jesse	Harrison	IF/P	9	5'6
34	Tyler	Orton	IF/P	9	5'7
35	Boston	Duvall	C/P	9	5'9

Springville Red Devils



Head Coach: Ryan Briggs **Region:** 9 **Colors:** Red/White/Navy
Principal: Robert Fleming **Athletic Directors:** Mark Binks & Jill Thackeray

Jersey	First	Last	Grade	Jersey	First	Last	Grade
1	Trenton	Ash	12	12	Hugh	Redd	9
2	Trek	Wilcox	11	14	Samuel	Little	11
3	Mason	DeLlamas	11	15	Eli	Liddiard	10
4	Reid	Deede	10	16	Brooks	Thorpe	12
5	Porter	Redd	11	17	Reed	Briggs	11
6	Thomas	Widdison	12	20	Aaron	Shepherd	11
7	Treyden	Richins	11	22	Ashtyn	Tate	11
8	Naulivou	Lauaki	11	23	Trevin	Kelly	12
9	Preston	Hansen	9	24	Brock	Graves	11
10	Hunter	Perrero	12	26	Ryan	Conrad	12
11	Easton	Barrett	11	28	Braxton	Hughes	11



MOUNTAIN AMERICA
CREDIT UNION



DeseretNews.

Stansbury Stallions



Head Coach: Jason Jones **Region:** 7 **Colors:** Black/Royal Blue/Silver
Principal: Gailynn Warr **Athletic Directors:** Trever Wilson

No Roster Submitted
In
RegisterMyAthlete
STALLIONS
Stansbury High School



Timpanogos Timberwolves

No Photo
Submitted

Head Coach: Kim Nelson **Region:** 8 **Colors:** Navy/Shock Green
Principal: Joe Jensen **Athletic Director:** Frank Bramall

Jersey	First	Last	Position	Grade					
1	Monte	McWhorter	C	11	14	Dash	McCann	1B	10
2	Luke	Livingston	CF	11	17	Tanner	Morgan	1B	12
3	Billy	Bird	P	12	18	Chase	Warner	OF	11
4	Brayden	Wood	P	11	19	Jace	Hunter	C	9
5	Tyler	Hunter	UT	11	20	Adam	Engemann	P	10
6	Cache	McCann	OF	11	23	Brighton	Tate	3B	11
7	Chase	Riggs	P	11	24	Jax	Yakiwchuk	LF	12
8	Cooper	Richards	1B	11	25	Cooper	Hawkes	IF	9
9	Collin	Morgan	IF	10	27	Canyon	Clegg	3B	9
10	Tate	MacGillivray	SS	12	31	Grant	Dickson	OF	9
11	Jackson	Sotelo	3B	10	31	Kaden	Hatch	OF	9
12	Tanner	Weight	P	11	33	Teagan	Jensen	2B	9
13	Kayden	Harding	C	11	34	Ryder	Smith	OF	9
					35	Cade	Whimpey	OF	9

Timpview Thunderbirds



Head Coach: Jeff Davis **Region:** 8 **Colors:** Orange/Blue/White
Principal: Momi Tuua **Athletic Directors:** Wendy Anae & Kim Davidson

Jersey	First	Last	Position	Grade
1	Breken	Davis	SS/P	11
2	Walter	Myers	C/P	10
3	Dalon	Beavers	OF/P	12
4	Thomas	Riskas	2B	9
5	Ezekiel	Kleven	OF/2B	10
6	Anthony	Pascual	OF	9
7	Brody	Voyles	OF	9
8	Luke	Hammari	C	9
9	isaac	Raines	C/OF	12
10	Dylan	Kallas	OF	11
11	Jordan	Christensen	3B/OF	10
12	Luke	Elliott	OF	9

13	Brigham	Richards	2B/C	11
14	Tyler	Weed	1B/OF	10
17	William	Cannon	3B/P	9
18	Jeremia	Nilsen	OF	12
19	Samuel	Child	OF	11
20	Colby	Hansen	1B	9
21	Micah	Howard	3B/P	9
22	True	Andersen	C	9
24	Catcher	Christensen	OF/C	12
26	Spencer	Drewes	OF	9
27	Tate	Grames	C	12
31	Jackson	Davis	OF/P	9

Tooele White Buffaloes



Head Coach: Chris Taylor **Region:** 7 **Colors:** Royal Purple/White
Principal: Jeff Wyatt **Athletic Director:** Catham Beer

Jersey	First	Last	Grade
1	Connor	Higgins	9
2	Tanner	Furgeson	11
3	Carson	Freeman	10
4	Reeder	Conger	10
5	Carson	Hendrix	11
6	Rowdy	Anderton	11
7	Garrett	Palmer	12
8	Jace	Nigh	11
9	Jayson	Shubert	12
10	Ethan	Davies	12
11	Craig	Hill	12
12	Zander	Adams	12
13	Ethan	Garcia	12
14	Lucas	Rydalch	12
15	Kaden	Dean	11
20	Grady	Symonds	10
21	Matthew	Barnard	10
24	Madex	Vonhatten	10
32	Dominic	Pagnani	11

Uintah Utes

No Photo
Submitted

Head Coach: Brent Labrum **Region:** 7 **Colors:** Red/White
Principal: Christy Nerdin **Athletic Director:** Les Hamilton

Jersey	First	Last	Grade
1	Jaron	Colton	11
2	Hunter	Funk	10
3	Bryckmen	Kay	10
4	Kaedyn	Sheffield	12
5	Sheason	Sheffield	11
6	Ryan	Mansfield	11
7	Brayden	Murray	10
8	Dreyson	Sutton	12
9	Angel	Rios	10
10	Dace	Pope	11
13	Kaysten	Ussery	10
14	Kaysen	Massey	10
18	Tyler	Ivins	11
23	Parker	Guymon	10
24	Wade	Benson	10
25	Derick	Hardy	11
26	Brennen	Kunkel	12
27	Dace	O'Bagy	10

Viewmont Vikings



Head Coach: Hunter Roybal **Region:** 5 **Colors:** Cardinal/Gold
Principal: Travis Lund **Athletic Directors:** Jeff Emery & Justin Nelson

Jersey	First	Last	Grade
1	Caleb	Buttle	10
2	Teagan	Burnside	12
3	Luke	Jacobs	12
4	Cooper	Jeppesen	10
5	Maxwell	Lee	12
6	Brigham	Leavitt	11
7	Gage	Kortman	11
8	Jaxon	Marble	10
9	Cal	Miller	10
10	Kade	Marriott	10
11	Jackson	Rogers	12
12	Logan	Skidmore	12
14	Brody	Hooper	11

15	Austin	Horlacher	11
16	Brock	Uzelac	12
17	Easton	Behrends	12
18	Braxton	Brenenstall	12
19	Siona	Faeamani	10
20	Kimball	Essig	9
21	Jace	Barber	11
23	Gehrig	Lee	9
24	Spencer	Rees	10
25	Brady	Charles	10
26	Jacob	Mangum	10
27	Jack	Owen	9
32	Boston	Williams	9
37	Aiden	Groves	10

Wasatch Wasps

No Photo
Submitted

Head Coach: Matthew Jacobsen **Region:** 9 **Colors:** Black/Gold
Principal: Justin Kelly **Athletic Director:** Brad Foster

Jersey	First	Last	Grade				
2	Alex	Gutierrez	12	17	Gage	Schiess	12
3	Carter	Bucad	11	18	Landon	Carter	10
4	Ryker	Evans	11	19	ashton	gurney	11
5	Chett	Wilson	12	20	Maxwell	Walker	11
7	Jacob	Bradshaw	11	22	Kolden	Hafen	10
9	Blake	Sweat	10	24	Beauden	Jones	11
10	Zachary	Burdette	11	25	Cooper	Thacker	11
12	Bridger	Shaw	10	26	Lance	Christensen	11
12	Tadd	Sulser	12	27	Cole	Zimmerman	12
14	Crew	Erickson	12	28	Jonathan	Naranjo	12
15	Tragun	Shaw	12	44	Colton	Bassett	11

Woods Cross Wildcats

**No Photo
Submitted**

Head Coach: Paul Ayala **Region:** 5 **Colors:** Blue/Red/White
Principal: Deanne Kapetanov **Athletic Director:** David Simon

**No Roster Submitted
In
RegisterMyAthlete**



MOUNTAIN AMERICA
CREDIT UNION



 **DeseretNews.**

Lehi Pioneers
2022 5A Baseball State Champions



THE HIGH SCHOOL SPORTS AUTHORITY

The **Deseret News** is your hub for high school sports

With 50 statewide correspondents, the state's most in-depth weekly high school Sports section, and up-to-the-minute online scores, the *Deseret News* keeps up With high school sports action like no one else.

Follow us online, on your mobile device, on twitter and facebook and in print .
And see why we are as passionate about high school sports as you are.

Want to see your school in the news?
Visit DeseretConnect.com to learn how.

 **DeseretNews.**
www.deseretnews.com

Academic All-State



UTAH HIGH SCHOOL ACTIVITIES ASSOCIATION

DeseretNews. *Academic All-State Teams*



2022-23 Baseball

6A

Jacob Wallin
Maddax Peck
Porter Lindsey
Porter Benton
Carson Graves
Tygan Taylor
Garrett Cousins
Michael Slayday
Ryker Schow
Easton Favila
Lucas Culley

Bingham
Bingham
Bingham
Clearfield
Farmington
Fremont
Granger
Lone Peak
Pleasant Grove
Westlake
Westlake

5A

Bentley Crook
Eric Torina
Boston Bingham
Luke Kimmel
Asher Levine
Cam Ford
Nicholas Neves
Cayden Hansen
Zakery Nelson
Billy Bird

Alta
Hillcrest
Lehi
Orem
Park City
Payson
Payson
Salem Hills
Salem Hills
Timpanogos

4A

Brecken Smith
Brexten Starley
Fox Challis
Kayson Turner
Brigham Staley
Casey Robinson
Zackary Beard
Preston Christensen
Maxim Baer
Seth Chambers

Crimson Cliffs
Crimson Cliffs
Crimson Cliffs
Desert Hills
Hurricane
Hurricane
Hurricane
Pine View
Ridgeline
Sky View

3A

Daron Garner
Quade Henrie
Wyatt Falk
Easton Nielson
Ryker Paxman
Jace Sandberg
James Rosenbeck
Jonathan Compton
Emery Thorson
Keaton Anderson
Kasen Huff

Carbon
Carbon
Carbon
Emery
Grand County
Grantsville
Juab
Morgan
Richfield
Richfield
Union

Academic All-State



UTAH HIGH SCHOOL ACTIVITIES ASSOCIATION
DeseretNews.
Academic All-State Teams



2022-23 Baseball

2A

Bentley Bradshaw	Beaver
Dallas Yardley	Beaver
Cody Staheli	Enterprise
Wade Whitman	Enterprise
Zachary Brackett	Gunnison Valley
Brant Stevens	Millard
Taylor Davies	Millard
Kyson Bosshardt	North Sevier
Tyler Foote	North Sevier
Tyson Robb	South Sevier